

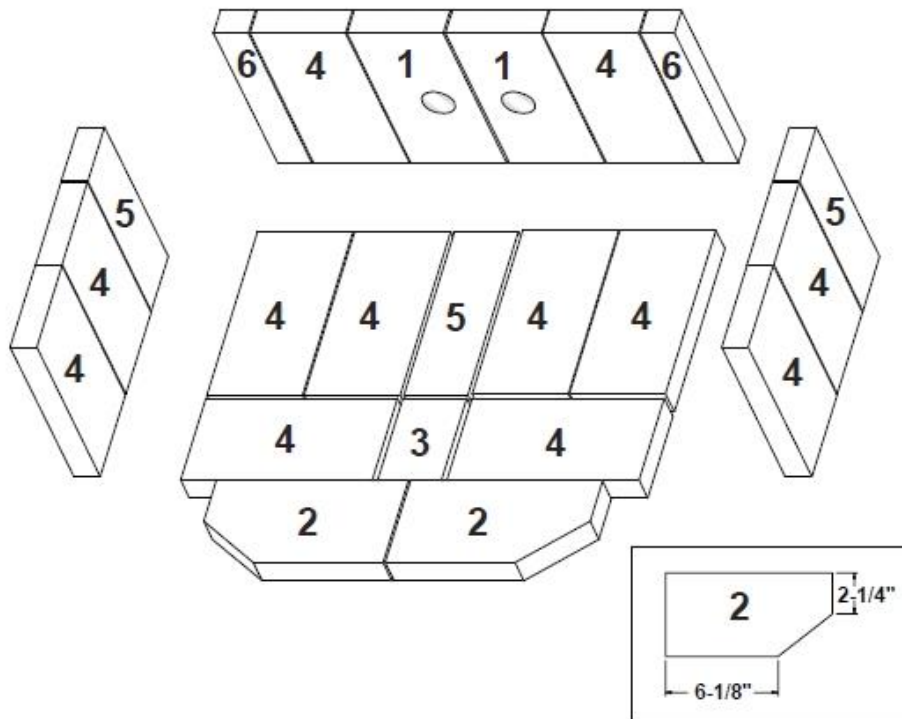
Quadra Fire 4100 I ACT Parts List

ITEM	DESCRIPTION	COMMENTS	PART NUMBER
1	Ceramic Fiber Blanket, 1/2" Thick		832-3390
2	Baffle, Fiberboard		832-3520
3	Manifold Tube Set	Set of 4	832-3530
	Manifold Clip/Screws		832-0661
4	Top, Cast		435-0300
5	Panel, Wire Access		435-0900
6	Blower Control Box w/Switch (Included wire harness)	Post 1453128	SRV7000-194
7	Wire Harness Only	Pre 1453127	435-1420
8	Blower Replacement	Post 1451097	832-3491
9	Blower Mount Clamp	Qty: 2 Req.	435-0400
10	Base, Blower Mount	Post 1451097	435-0320
11	Blower Housing Cast		435-0590
12	Ashcatcher, Cast		435-0310
13	Snap Disc, 110-20 degrees		SRV230-1220
14	Knob, Air Control		32284
15	Outside Air Cover Plate		435-0290
16	Outer Top		435-0260
17	Flue Tab		438-0010
	Component Pack (Includes Owners Manual, Touch-Up Paint, Warranty Card, 2 Screws, Permanent Label "If Fireplace Altered")		435-5310
	Paint Touch-Up		7000-304
	Wire Extension, Blower, 12"		435-0920
<b>ACCESSORIES</b>			
	Adjustable Hearth Support, 9" d x 45" w, 2"-10" High		841-0990
	Adjustable Hearth Support, 12" d x 50" w, 2"-10" High		ADJSPT-12
	Trim Front		481-0160
	Trim Side		481-0090
	Panel & Trim, Small - 44.5 W x 30.5 H	Gold	SP-BB3044-GI
	Bracket, -L-, Trim	Qty: 2 Req.	832-0840
	Component Pack		435-5540
	Logo, Quadra-Fire	Gold	200-3180
	Trim Set Only	Gold	7000-007
	Panel & Trim, Small - 44.5 W x 30.5 H	Nickel	SP-BB3044-NL
	Bracket, -L-, Trim	Qty: 2 Req.	832-0840
	Component Pack		435-5550
	Logo, Quadra-Fire	Nickel	200-3240

Woodman's Parts Plus  
[www.woodmanspartsplus.com](http://www.woodmanspartsplus.com)

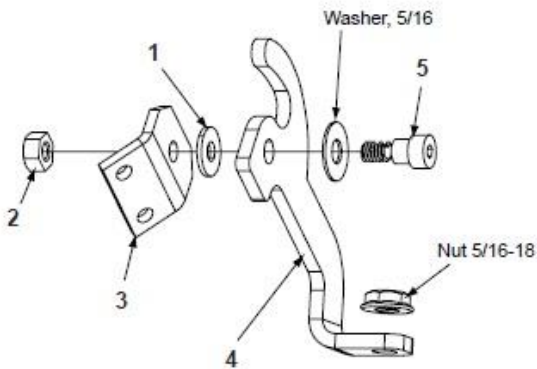
ITEM	DESCRIPTION	COMMENTS	PART NUMBER
	Trim Set Only	Nickel	7000-008
	Panel Set, Large - (Order Cast Trim Separately)		831-2020
	Component Pack		435-5530
	Logo, Quadra-Fire	Gold	200-3180
		Nickel	200-3240
	Panel Set, Standard - (Order Cast Trim Separately)		831-2010
	Component Pack		435-5530
	Logo, Quadra-Fire	Gold	200-3180
		Nickel	200-3240
	Trim Cast, Set 5 pieces	Matte Black	811-0930
	Footer, Left	Matte Black	414-7090MBK
	Footer, Right	Matte Black	414-7100MBK
	Header	Matte Black	414-7110MBK
	Trim Leg, Left	Matte Black	414-7120MBK
	Trim Leg, Right	Matte Black	414-7130MBK
<b>FASTENERS</b>			
	Avk Rivnut Repair Kit - 1/4-20 & 3/8-16 Rivnut Tools		RIVNUT-REPAIR
	Screw, Bh, 1/4-20 X 1.25	Pkg. of 24	225-0630/24
	Screw, Machine Screw 1/4-20 X 5/8	Pkg. of 24	220-0440/24
	Screw, Pan Head Philips 10-32 X 3/8	Pkg. of 40	21799A/40
	Screw, Pan Head Philips 8-32 X 3/4	Pkg. of 24	229-1100/24
	Screw, Sheet Metal #8 X 1/2 S-Grip	Pkg. of 40	12460/40

## Brick Pattern

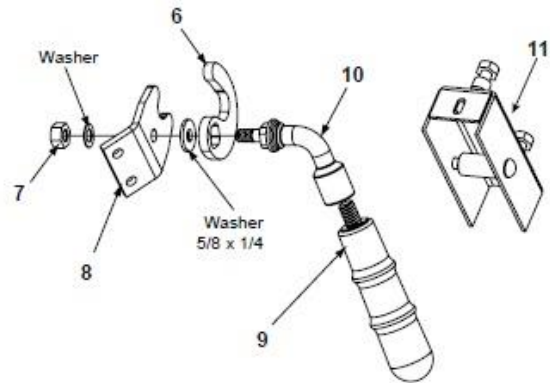


ITEM	DESCRIPTION	COMMENTS	PART NUMBER
	Brick Set, Complete Assembly	Pkg of 20	832-3500
1	Brick w/Hole (9 x 4.5 x 1.25")	Pkg of 2	SRV435-0800
2	Brick 2, Angle Cut (9 x 4 x 1.25")	Qty: 2 Req.	832-0552
3	Brick 3, (4.5 x 3 x 1.25")	Qty. 1 Req.	832-0553
4	Brick 4, (9 x 4.5 x 1.25")	Qty: 12 Req.	832-0554
5	Brick 5, (9 x 3 x 1.25")	Qty: 3 Req.	832-0555
6	Brick 6, (9 x 1.5 x 1.25")	Qty: 2 Req.	832-0556
	Brick, Uncut (9 x 4.5 x 1.25")	Qty: 12 Req.	832-0550
	Brick, Uncut (9 x 4.5 x 1.25")	Pkg. of 6	832-3040

**Version 1  
 Door Handle/Latch  
 Replacement Kit**

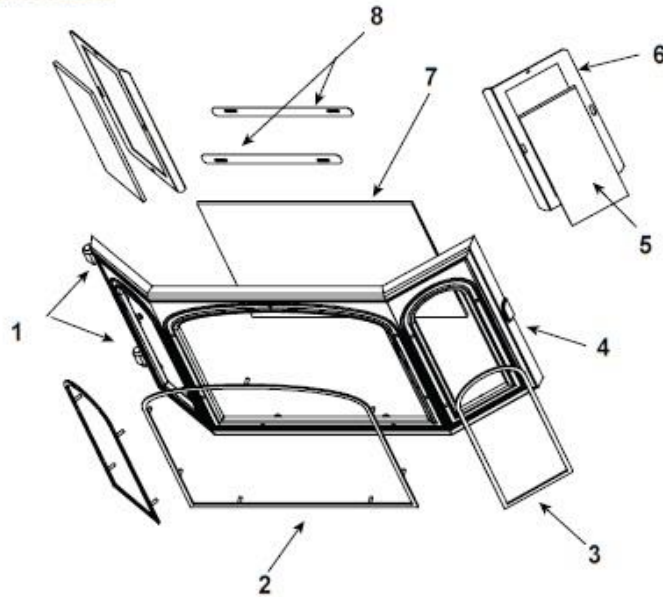


**Version 2  
 Door Handle/Latch  
 Replacement Kit**



ITEM	DESCRIPTION	COMMENTS	PART NUMBER
<b>VERSION 1 - Pre 1452200</b>			
	Door Handle/Latch Replacement Kit		832-3570
1	Washer, 1/4 Sae	Pkg. of 24	28758/24
2	Nut, Lock 1/4-20		226-0090
3	Bracket, Door Latch		435-0910
4	Arm, Latch, Door		435-0250
5	Bolt, Shoulder, 5/16 x 1/4-20	Pkg. of 20	223-0170/20
	Latch Box Assembly* <b>must be ordered separately</b>		435-5270
<b>VERSION 2 - Post 1452200</b>			
	Door Handle/Latch Replacement Kit		SRV435-5510
6	Hook, Door Latch		435-1190
7	Nut, 1/4-20 Hex		7000-236
8	Bracket, Door Latch		435-1480
9	Fiber, Door Handle		SRV433-1380
10	Arm, Latch, Door		435-1470
*11	Latch Box Assembly		435-5270
	Bolt, Hex Head, 1/4-20 X 1	Pkg. of 10	25221A/10
	Button Head Rivet M6 x 35	Pkg. of 2	844-3290

### Door Assembly w/Glass



ITEM	DESCRIPTION	COMMENTS	PART NUMBER
	Door Assembly w/Glass (Version 1) Pre 1452200	Gold Trim	435-5190
		Nickel Trim	435-5300
	Door Assembly w/Glass (Version 2) Post 1452200	Gold Trim	435-5340
		Nickel Trim	435-5390
1	Hinge Pin (Rivet M6 x 35 Button Head)	Gold	72171
		Nickel	433-1590
2	Trim Ring, Front	Gold	435-0570
		Nickel	435-0990
3	Trim Ring, Side	Gold	435-0580
		Nickel	435-1000
4	Door Frame, Cast		435-0050
5	Glass Assembly Side (1 piece)		435-5480
6	Glass Frame, Side	Right or Left	435-0950
7	Glass Assembly Front		435-5470
8	Glass Frame		435-0960
	Gasket, Glass Tape, 3/4 " - Field Cut to Size	5 FT Length	832-0460
	Nut, Keps Lock, 8-32	FT Length	226-0060/40
	Rope, Door, 5/8" x 96 - Field Cut to Size	Qty. 8 Ft. Req.	842-1420
	Screw, Pan Head Philips 10-32 X 3/8	Pkg. of 40	21799A/40
	Screw, Pan Head Philips 8-32 X 3/8	Pkg. of 40	225-0500/40